

Saba Lighting MP100



IP65



NEW!!

FEATURES-Change

LISTING

- UL listed IP65 rating for outdoor use

APPLICATIONS

- Sports Stadium, Gymnasium
- Shipyard, Airport, Wharf
- High Mast

FINISH

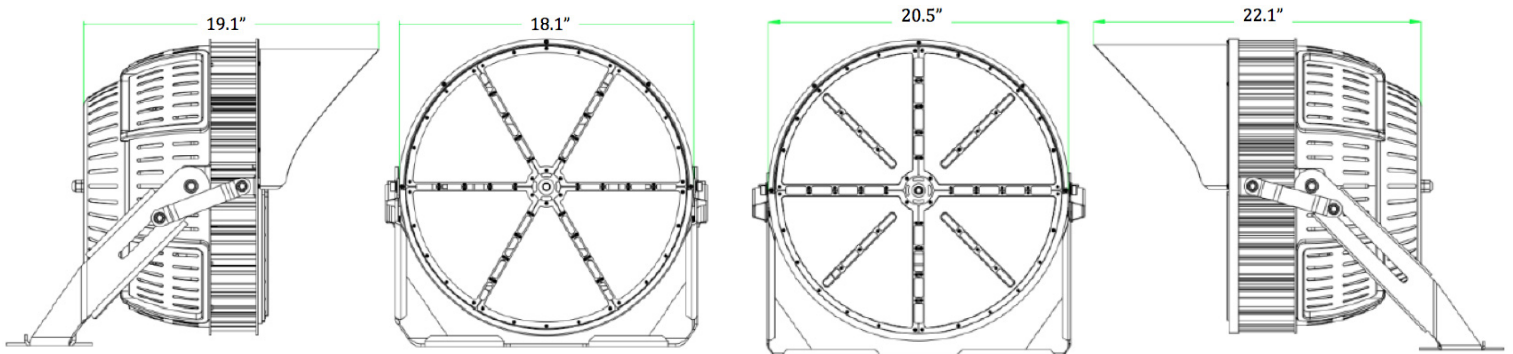
- UV stabilized powder coated finish

The Saba Lighting MP100 is a powerful multi-purpose light. This light utilizes the latest generation of LED chips deliver EXTREMELY high lumen outputs. This uniquely design fixture can be used in a variety of lighting solutions to provide excellent quality light.

SPECIFICATIONS

Model No.	MP100			
System Watts	600	750	1000	1200
Lumen Output	78,000lm	97,500lm	130,000lm	156,000lm
Color Temp (T)	50=5000K(Std)		40=4000K*	
Input Voltage (V)	A = 120~277V		B = 347~480V	
Optics (O)	15 = 15 Degree	30 = 30 Degree	60 = 60 Degree	
CRI	70+			
Operating Temp	-40°C - 50°C			
MH Equivalent	2000W	2500W	3000W	3600W
Weight	39.7 lbs	39.7 lbs	50.7	57.3 lbs
SKU	MP100-T70-600V-O	MP100-T70-750V-O	MP100-T70-1000V-O	MP100-T70-1200V-O

DIMENSIONS



600w & 750w

1000w & 1200w